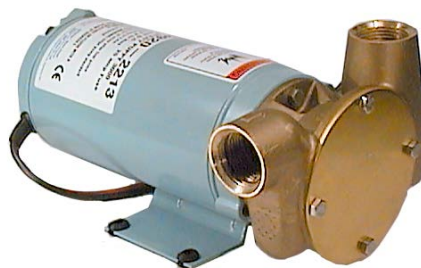


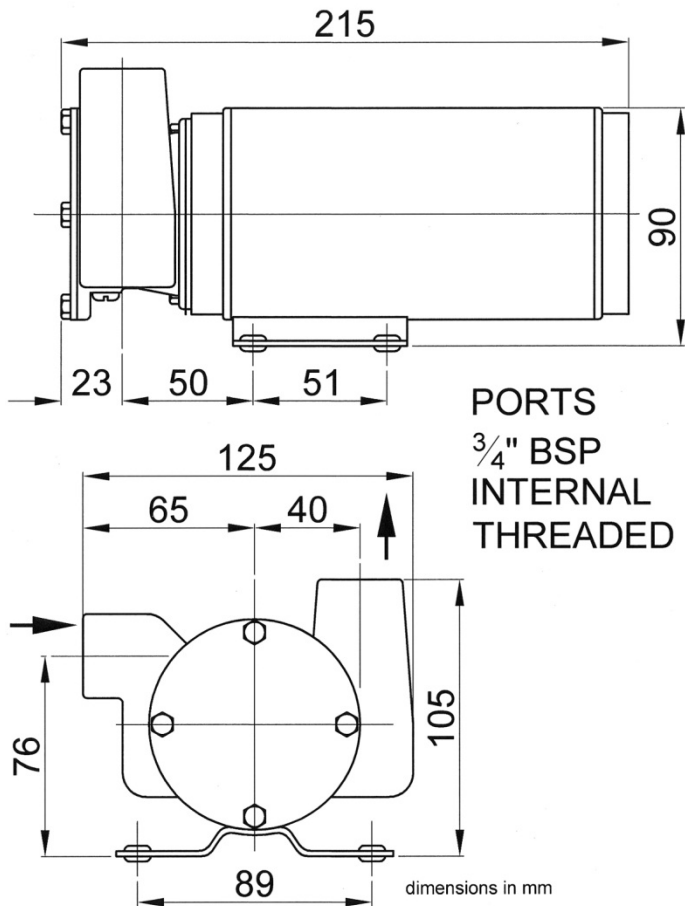


UTILITY PUMPS

a xylem brand



20-size UTILITY PUMP with 3/4" ports and DC electric motor



PUMP MODELS

- 23920-2213** 'Utility Puppy 3000' 12 volt
- 23920-2313** 'Utility Puppy 3000' 24 volt

- ◆ Nitrile oil-resistant impeller fitted as standard.
 - ◆ Neoprene impeller version available on request.
- Check with your pump supplier

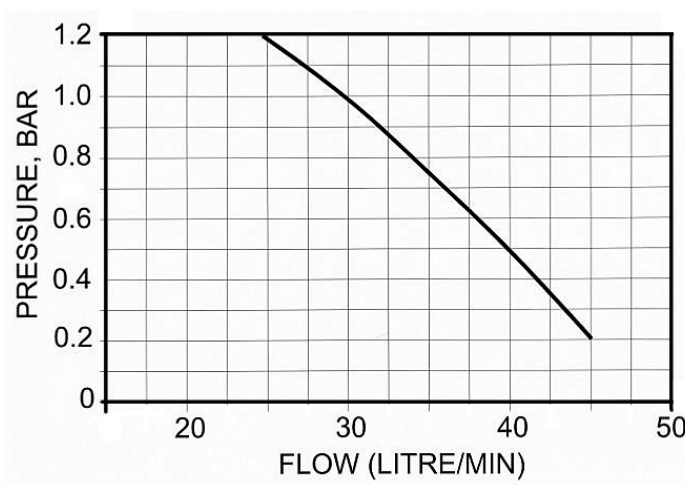
SPECIFICATION


Pump body: bronze
Weight: 4.3kg
Shaft: AISI316 stainless steel
Shaft seal: mechanical (carbon-ceramic)
Impeller: see pump models above
Max. recommended liquid viscosity: 50cp. Check with your pump supplier if in doubt.

Motor:
23920-2213 12 volt d.c., totally enclosed, 25 amp fuse
23920-2313 24 volt d.c., totally enclosed, 15 amp fuse

- ◆ Rapid self-priming up to 2.4 metres vertical lift.
- ◆ Handles hard and soft solids up to 3mm in size.
- ◆ Can pump up to 90% entrained air.
- ◆ Up to 10 minutes dry running protection.
- ◆ Quick and simple to maintain
- ◆ Light, compact, portable and tough

PUMP PERFORMANCE





WARNING
 Explosive hazard. Do not pump gasoline, solvents, thinners or other flammable liquids. To do so can cause an explosion resulting in injury or death

Performance figures are based on manufacturer's tests with water and are not guaranteed for any particular application

Product descriptions and specifications are subject to alteration without notice



Xylem Water Solutions UK Ltd
 Bingley Road • Hoddesdon • Hertfordshire • EN11 0BU • UK
 Telephone: +44 (0)1462 480380 Fax: +44 (0)1462 482422
 mail@cleghorn.co.uk www.jabscoshop.com

DOC553/11